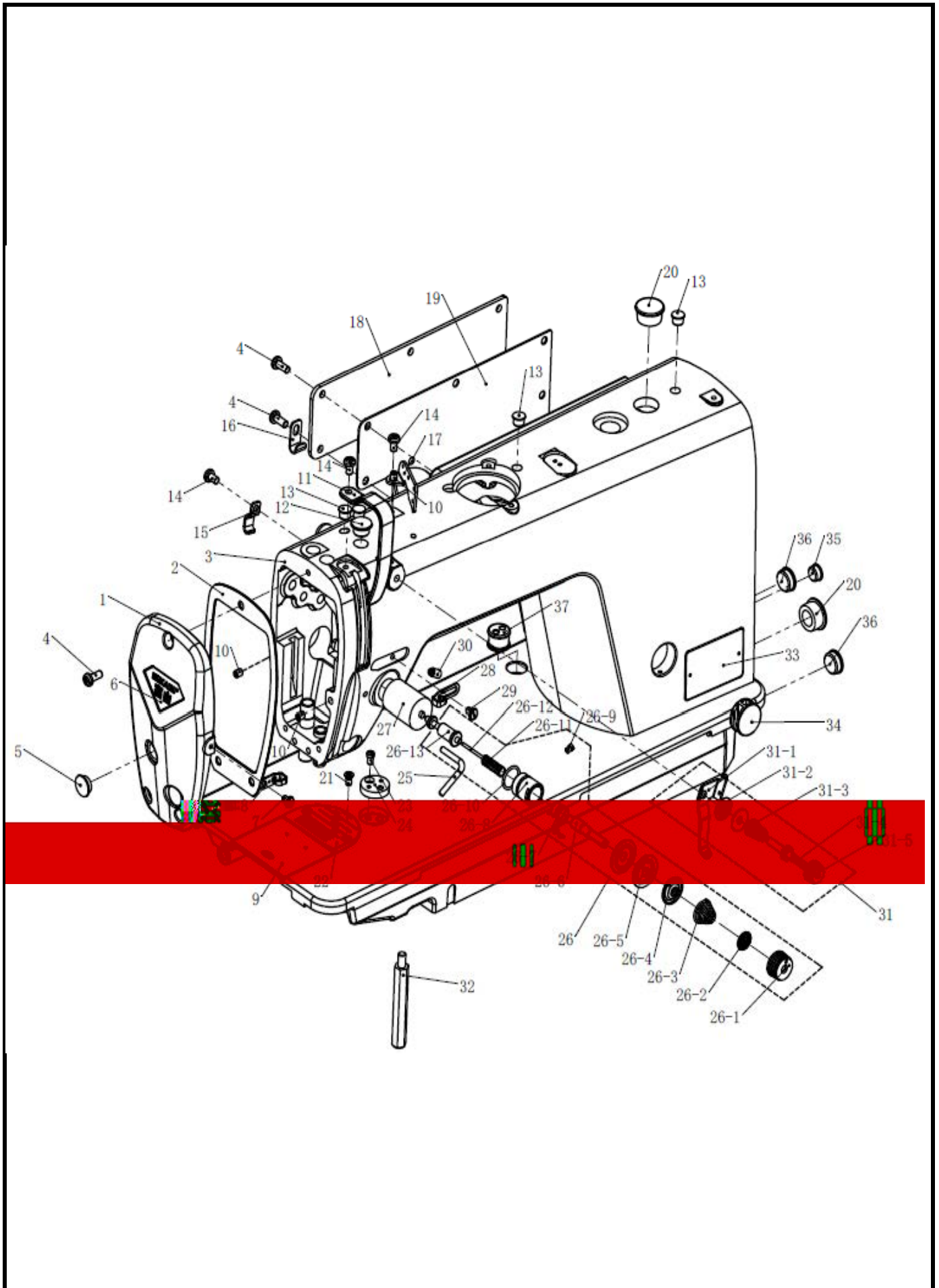


/Catalogue

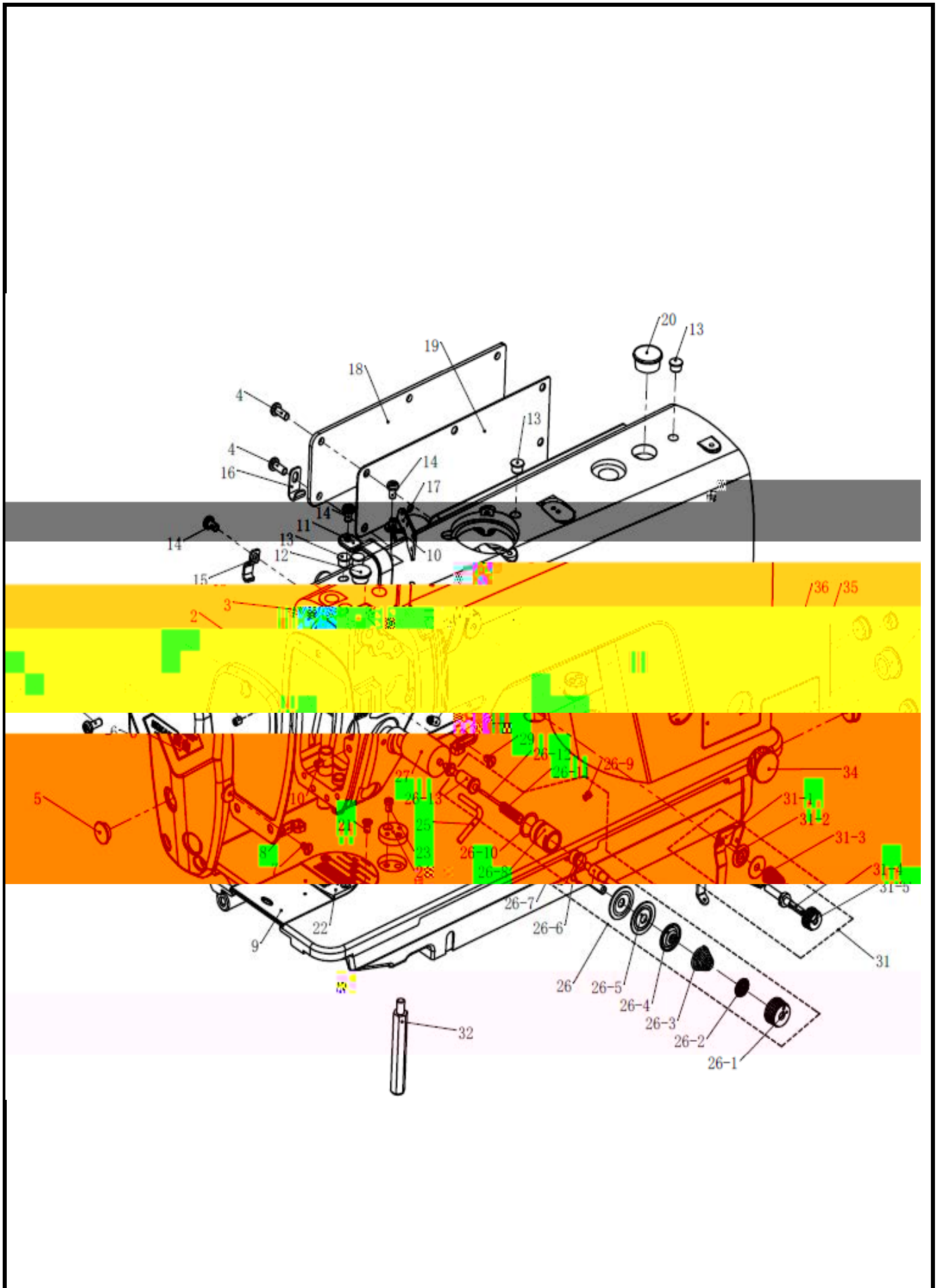
1.	/Machine frame&miscellaneous cover components.....	P1
2.	/Main shaft&thread up lever components.....	P5
3.	/Needle bar, upright shaft&hook driving shaft components.....	P7
4.	/Hand lifter components.....	P9
5.	/Feed machine components.....	P11
6.	/Thread trimmer components.....	P13
7.	/Automatic reverse feed and stitch length components.....	P15
8.	/Driver and control components.....	P16
9.	/Oil lubrication&belt cover components.....	P18
10.	/oil reservoir components.....	P20
11.	/Accessories.....	P23



1

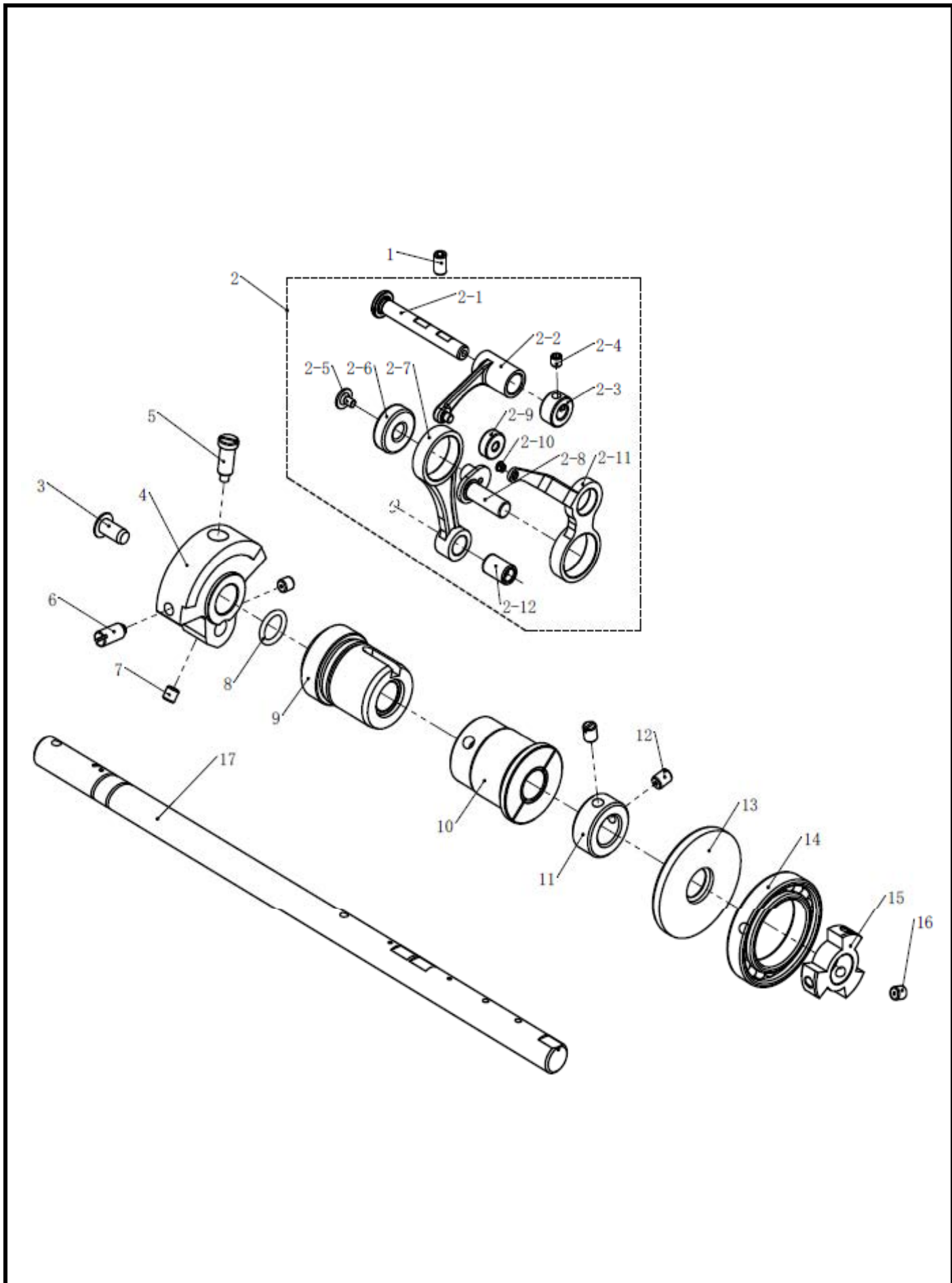
/Machine frame&miscellaneous cover components

Ref.No	Part. No		Name of parts	Qty
				H9500N-7D-5AK
1	130.01-11		Plate	1
2	130.01-12		Plate agsket	1
3	130.01-20		Machine cover	1
4	01-405001223-1	M5x12	Screw	10
5	22-12404016		Rubber plug	2
6	130.01-13		Plate stick	1
7	02-611400621-1	SM11/64x40x6	Screw	2
8	101.01-32		Arm thread guide Left	1
9	101.01-46		Slide plate asm.	1
10	01-805000614-1	M5x6	Screw	1
11	130.01-22		Thread take-up lever cover	1
12	22-12507017		Rubber plug	1
13	22-08506011	8.5x6x10.5	Rubber plug	4
14	01-405000823-1	M5x6	Screw	3
15	103.18-04	U2-9500A	Clamp	1
16	126.01-06	U2-9500A	Clamp	1
17	110.01-07		Spool pin	1
18	130.01-24		Side plate	
19	130.01-25		Gasket	1
20	22-20809024		Rubber plug	1
21	02-211400823-1	SM11/64x40x8	Screw	2
22	130.01-44		Throat plate	1
23	02-911400621-1	SM11/64x40x6	Screw	1
24	103.01-11		Ruler stopper	1
25	130.01-17		Presser bar thread guide	1
26	101.01-27		Thread tension asm.	1
26-1	101.01-27-01		Tension nut	(1)
26-2	101.01-27-02		Rotating stopper	(1)
26-3	101.01-27-03		Tension spring	(1)
26-4	101.01-27-04		Thread tension disk presser	2
26-5	101.01-27-05		Thread tension disk	(1)
26-6	101.01-27-06		Tension post	1
26-7	101.01-27-07		Take-up spring	(1)
26-8	101.01-27-09		Tension post socket	(1)
26-9	02-909400421-1		Screw	1
26-10	12-137160	O	Rubber ring	1
26-11	101.04-24		Tension spring	(1)
26-12	101.01-27-10		Tension releasing	(1)
26-13	130.04-32		Tension pin	1
27	SD-02A		Tension electromagnet	1
28	101.01-25		Arm thread guide Right	1
29	02-611400621-1		Screw	1
30	02-815281151-1	SM15/64"x28x11	Screw	1
31	110.01-21G		Thread tension asm.	1
31-1	110.01-23G		Thread tension guide	(1)
31-2	101.01-21-03		Thread tension disk	(1)
31-3	101.01-21-04		Thread tension spring	(2)
31-4	110.01-21-01G		Thread tension post	(1)



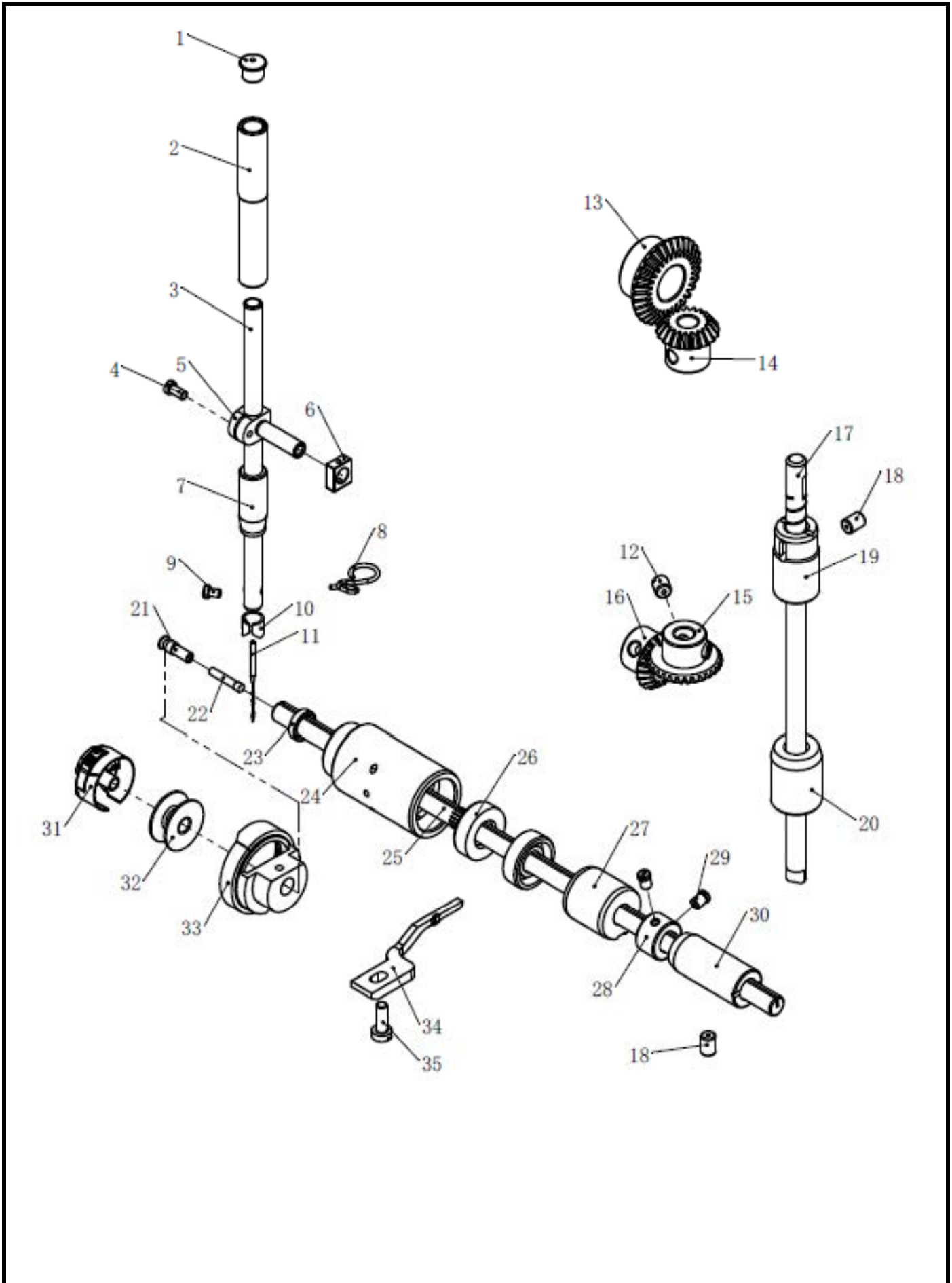
1**/Machine frame&miscellaneous cover components**

Ref.No	Part. No		Name of parts	Qty
				H9500N-7D-5AK
31-5	101.01-21-05		Thread tension nut	1
32	128.01-09		Bed screw stud	4
33	126.01-16		Model plate	1
34	103.08-59		Oil window	1
35	22-10705012		Rubber plug	1
36	22-15608518		Rubber plug	2
37	130.01-26		Rubber plug	1



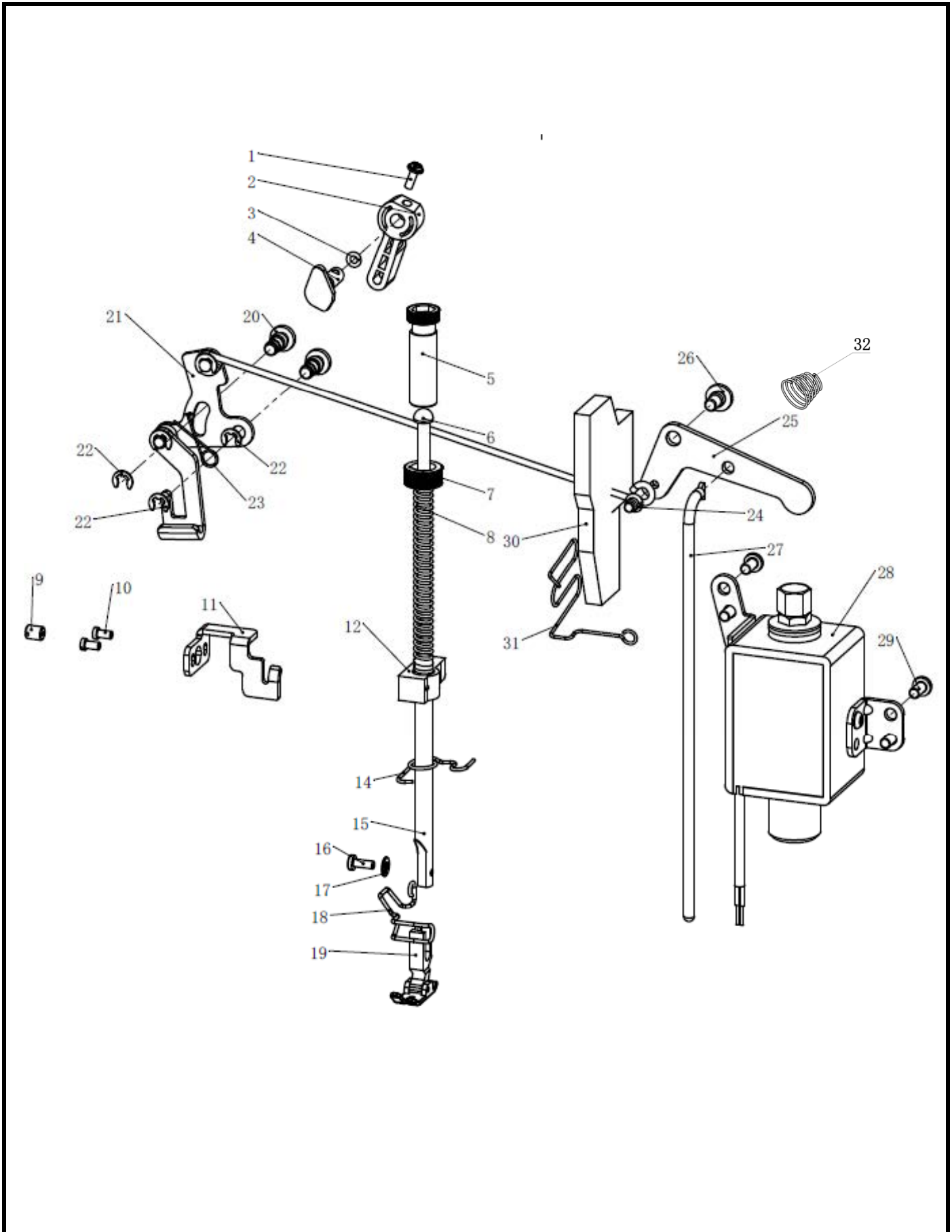
/Main shaft&Thread take-up lever components

Ref.No	Part. No		Name of parts	Qty
				H9500N-7D-5AK
1	02-815281014-1		Screw	1
2	129.02-07		Thread take-up lever big asm.	1
2-1	129.02-07-01		Thread take-up crank shaft	(1)
2-2	129.02-07-03		Thread take-up lever	(1)
2-3	129.02-07-02		Collar	(1)
2-4	01-805000514-1		Screw	(2)
2-5	129.02-07-09		Screw	(1)
2-6	14-608-2Z		Thread take-up bearing	(2)
2-7	129.02-07-07		Needle bar crank rod	(1)
2-8	129.02-07-06		Crank	(1)
2-9	14-624		Thread take-up bearing	(1)
2-10	129.02-07-05		Thread take-up	(1)
2-11	129.02-07-04		Thread take-up lever	(1)
2-14	129.02-07-08		Liner bushing	1
3	22-07014012		Rubber plug	1
4	130.02-11		Needle bar crank	1
5	02-418281531-1		Screw	2
6	02-818281651-1		Screw	1
7	01-806750614-1		Screw	4
8	12-125240	O	Rubber ring	1
9	130.02-13		Main shaft front bushing	1
10	102.02-27		Bushing,intermediate	1
11	102.02-23		Collar	1
12	02-816400811-1		Screw	1
13	13-14550550		Oil seal	1
14	14-61907-2Z		Bearing	1
15	102.02-44		Linker	1
16	01-806750814-1		Screw	2
17	130.02-06		Main shaft	1



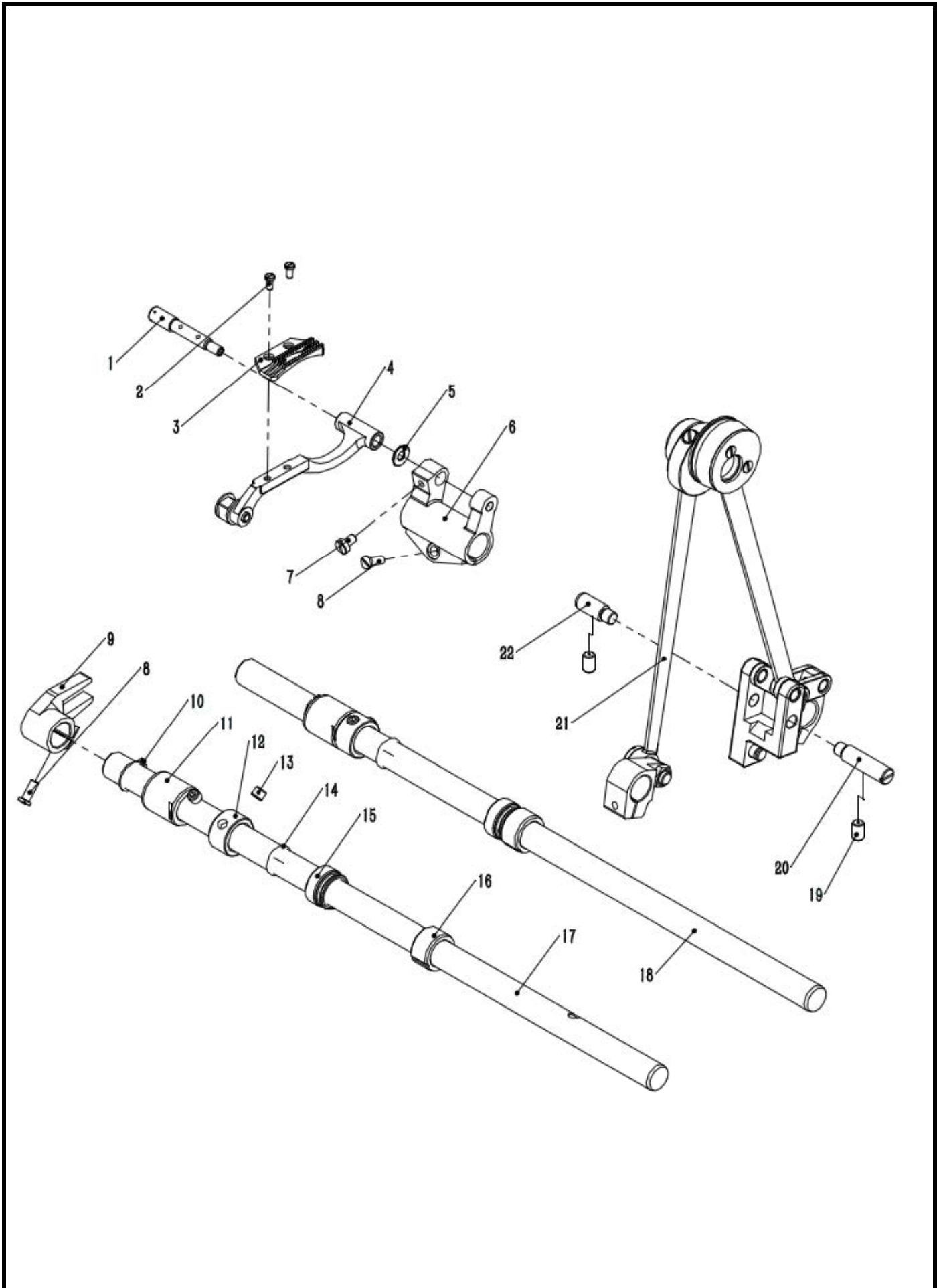
/Needle bar,upright shaft&hook driving shaft components

Ref.No	Part. No		Name of parts	Qty
				H9500N-7D-5AK
1	22-08506511	φ8.5x6.5xφ10.5	Cap	1
2	130.03-05		Needle bar bushing (upper)	1
3	130.03-06		Needle bar	1
4	02-509400721-1	SM9/64x40x5	Screw	1
5	129.02-07-10		Needle rod holder	1
6	102.03-06A		Slide block	1
7	130.03-07		Needle bar bushing (lower)	1
8	101.13-08		Needle bar thread guide	1
9	02-508440521-1	SM1/8x44x5	Screw	1
10	101.03-10		Needle bar thread guide	1
11	8020302	DB_1-14	Needle	1
12	02-816400711-1	SM1/4x40x7	Screw	8
13	101.03-12		Conical gear	1
14	101.03-14		Conical gear	1
15	122.03-16		Gear	1
16	101.03-18		Conical gear	1
17	101.03-20		Upright shaft	1
18	02-815280814-1	SM15/64x28x8	Screw	2
19	101.03-21		Upright shaft bushing (upper)	1
20	101.03-23		Upright shaft bushing (lower)	1
21	102.03-40		Oil seal screw	1
22	101.03-35A		Oil wick	1
23	13-07230120	7.2x3x12	Grease seal	1
24	130.03-08		Lower shaft bushing	1
25	102.03-31		Lower shaft	1
26	13-07270220	7.2x7x22	Grease seal	2
27	130.03-03		Bushing (intermediate)	1
28	101.03-26		Thrust collar	1
29	02-511400511-1	SM11/64x40x5	Screw	2
30	101.03-24		Bushing rear	1
31	122.03-37-02		Bobbin case	1
32	101.03-37-02		Bobbin	1
33	101.03-36-02		Hook	1
34	108.07-14		Bobbin case holder	1
35	02-511401221-1		Screw	1



/Hand lifter components

Ref.No	Part. No		Name of parts	Qty
				H9500N-7D-5AK
1	19-409401023-1	SM9/64x40x10	Screw	1
2	101.04-01		Hand lifter	1
3	12-038180	O ϕ 3.8x ϕ 1.8	Rubber ring	1
4	101.04-04		Hand lifter cam asm.	1
5	101.04-32		Presser spring regulator	1
6	101.04-40		Presser guide bar	1
7	101.04-31		Presser adjusting screw nut	1
8	101.04-33		Presser adjusting spring	1
9	02-816400811-1	SM1/4x40x8	Screw	1
10	02-509400721-1		Screw	2
11	130.04-31		Thread tension disk presser	1
12	101.04-34		Presser bar guide bracket	1
13	130.04-26		Presser bar bushing	1
14	126.09-04		Oil padding clip	1
15	101.04-35		Presser bar	1
16	02-509401021-1	SM9/64x40x10	Screw	1
17	05-043080900-1	4.3x0.8x9	Washer	1
18	104.03-29		Finger Protector	1
19	101.04-09A		Presser foot asm.	1
20	102.04-07		Link shaft	2
21	130.04-27		Lifting the front foot lever sha	1
22	06-0500810-1		Thrust collar	3
23	130.04-34		front bar reset spring	1
24	101.04-11		Screw	1
25	126.04-02		Lifting lever link	1
26	101.04-12		Screw	1
27	126.04-01		Lifting ejector pin	1
28	TD-02A		Presser foot lifting asm.	1
29	01-405001023		Screw	4
30	130.09-38		Sponge Fixer	1
31	130.09-37		Filter sponge	1
32	101.01-21-04		Spring	1

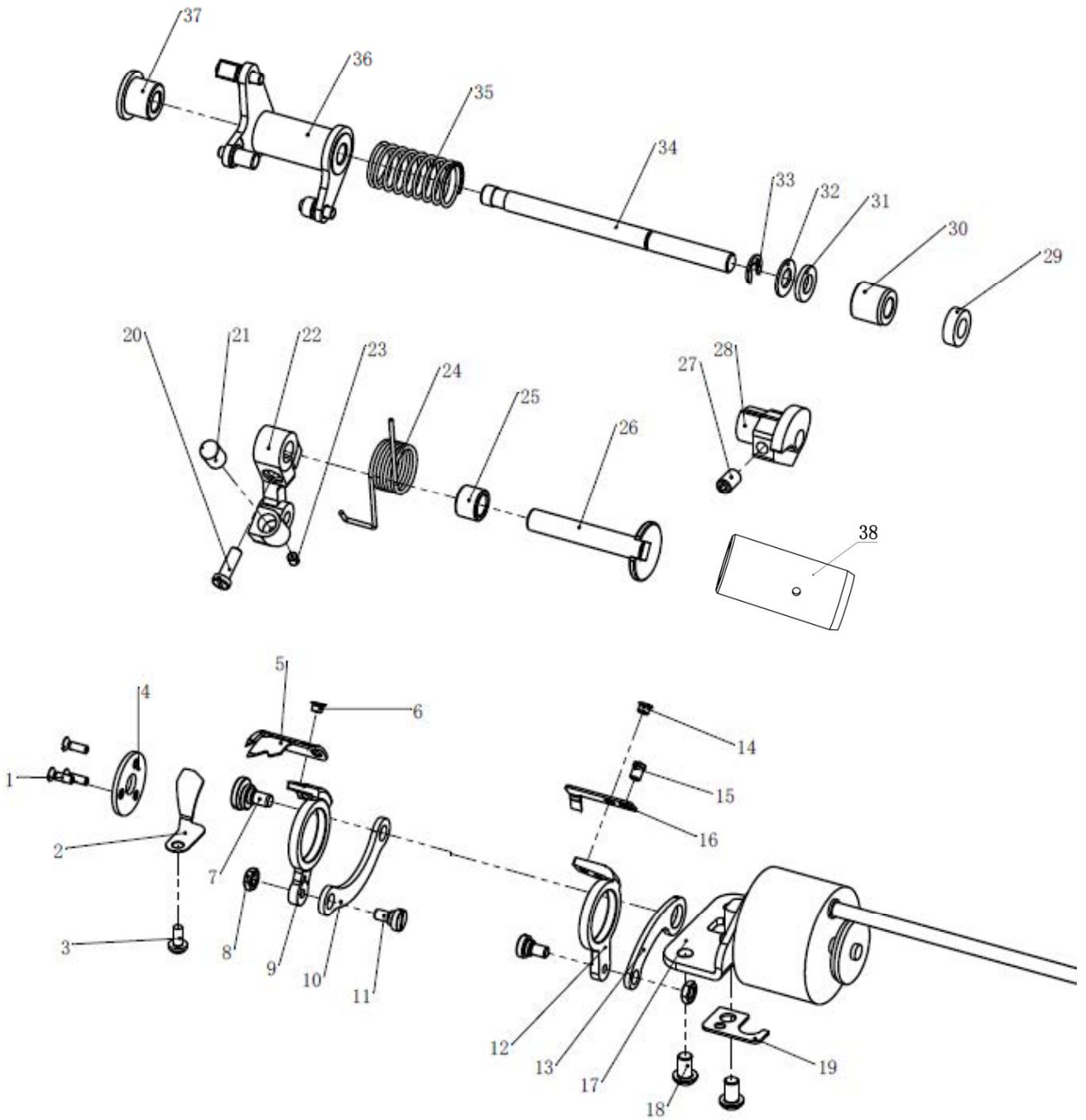


5

/Feed mechanism components

Ref.No	Part. No		Name of parts	Qty
				H9500N-7D-5AK
1	130.05-31		Feed bar shaft pin	1
2	02-608440621-1	SM1/8x44x6	Screw	2
3	130.05-33		Feed dog	1
4	101.05-35-01		Feed bar asm.	1
5	05-051081203-5		Flat gasket	1
6	101.05-55		Feed bar crank	1
7	02-511400721-1	SM11/64x40x7	Screw	1
8	02-411401121-1	SM11/64x40x11	Screw	2
9	101.05-57		Driving shaft crank	1
10	10-1381017-1	φ13.8x1	Retaining ring	2
11	130.05-20		Left shaft of feeding shaft	2
12	101.02-17		Thrust collar	2
13	02-816400514-1	SM1/4x40x5	Screw	4
14	12-125240	O	Rubber ring	4
15	14-14312210		Grease seal	2
16	130.05-25		shaft bushing of feeding shaft	2
17	130.05-21		Feed driving shaft	1
18	130.05-22		Feed rocker shaft	1
19	02-815281014-1		Screw	2
20	102.05-28-01		Swinging plate pin	1
21	130.02-12		Feed eccentric assembly	1
22	101.05-28	()	Adjusting link fulcrum shaft p	1

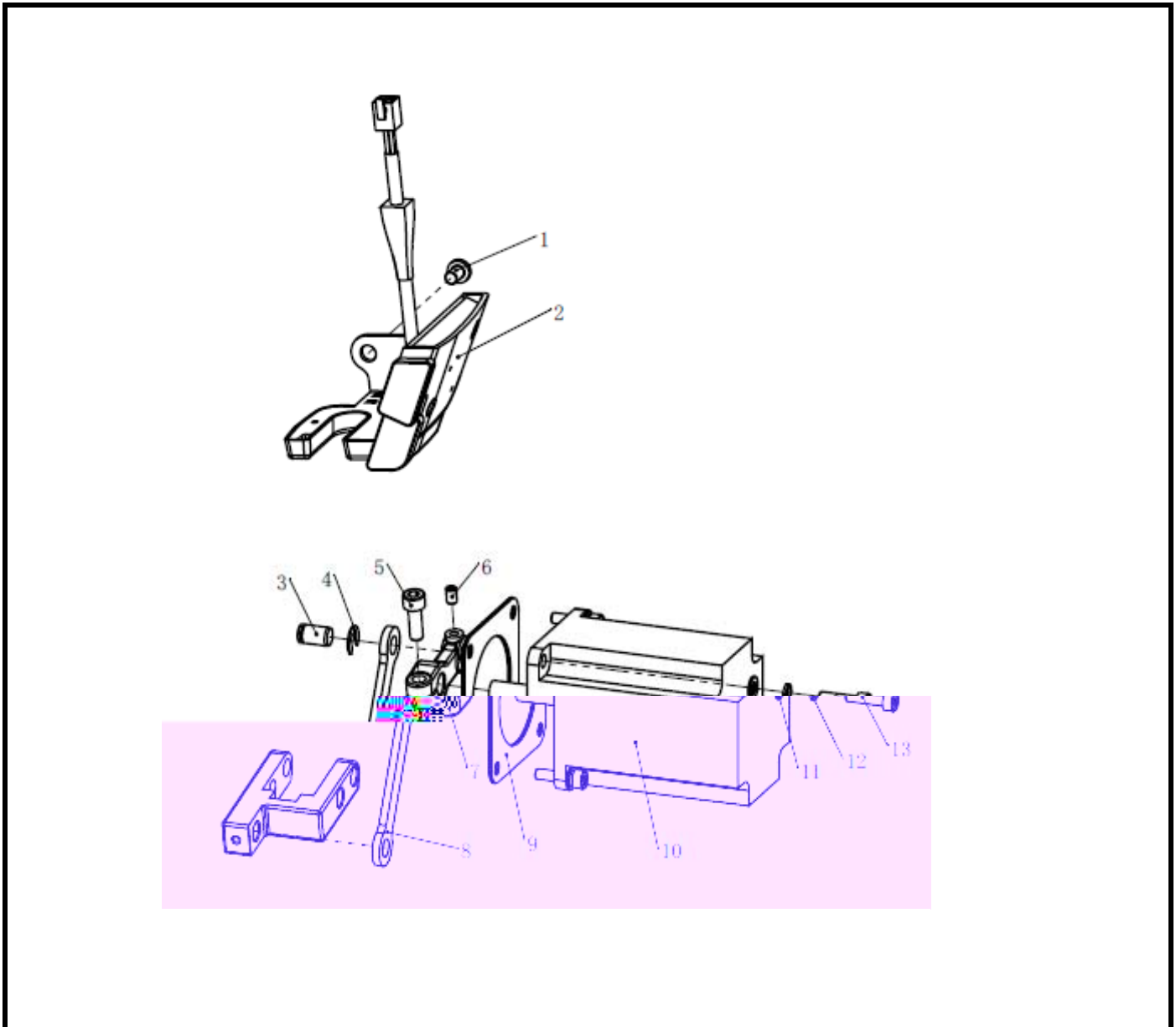
6. /Thread trimmer components



6. /Thread trimmer components

Ref.No	Part. No		Name of parts	Qty
				H9500N-7D-5AK
1	01-103001021-1		Screw	3
2	130.06-23		Protect needle patch	1
3	19-509400821		Screw	1
4	103.11-13		Partiality shank	1
5	130.06-33		Knife U	1
6	02-111400524-1		Screw	2
7	130.06-37		Shaft pin	1
8	04-611400300		Nut	2
9	130.06-34		Knife bracket	1
10	102.06-15		Knife shaft connecting rod	1
11	130.06-36		Screw	1
12	130.06-31		Knife bracket	1
13	130.06-32		Knifeconnecting rod	1
14	02-111400424-1		Screw	1
15	02-511400621-1		Screw	1
16	130.06-30		Knife	1
17	QD-02F		Thread trimmer solenoid	1
18	02-315280921-1		Screw	2
19	130.06-26		Washer	1
20	02-512321524-1		Screw	1
21	103.11-09-06G		Stop block	1
22	130.06-16		Thread shear rock crank	1
23	01-804000414-1	M4×6	Screw	1
24	130.06-26		Spring	1
25	102.06-23		Short bush	1
26	130.06-22		Thread shear rock arm shaft	1
27	02-816401014-1		Screw	2
28	103.11-01		Thread shear rock arm shaft	1
29	13-08050150		Grease seal	1
30	130.06-29		Axle sleeve	2
31	102.06-33		Magnetic plug cushion mat	1
32	05-081101550		Flat gasket	1
33	06-0601012-1		E-ring	1
34	130.06-09		Thread shear shaft	1
35	102.06-32		Spring	1
36	102.06-26		Thread shear rock arm shaft	1
37	102.06-31		Spring cover	1
38	130.06-35		Axle sleeve	1

7. /Automatic reverse feed and stitch length components

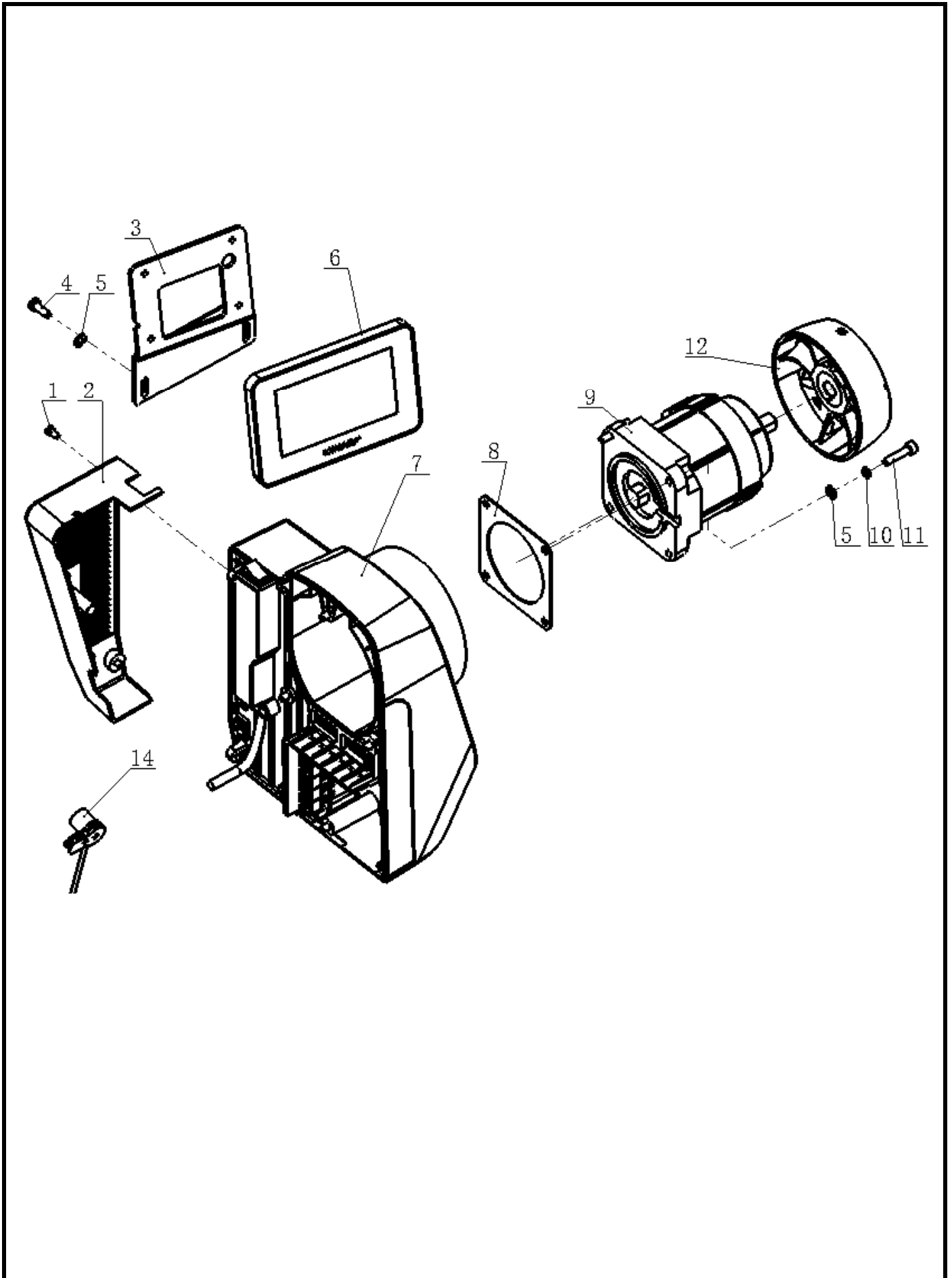


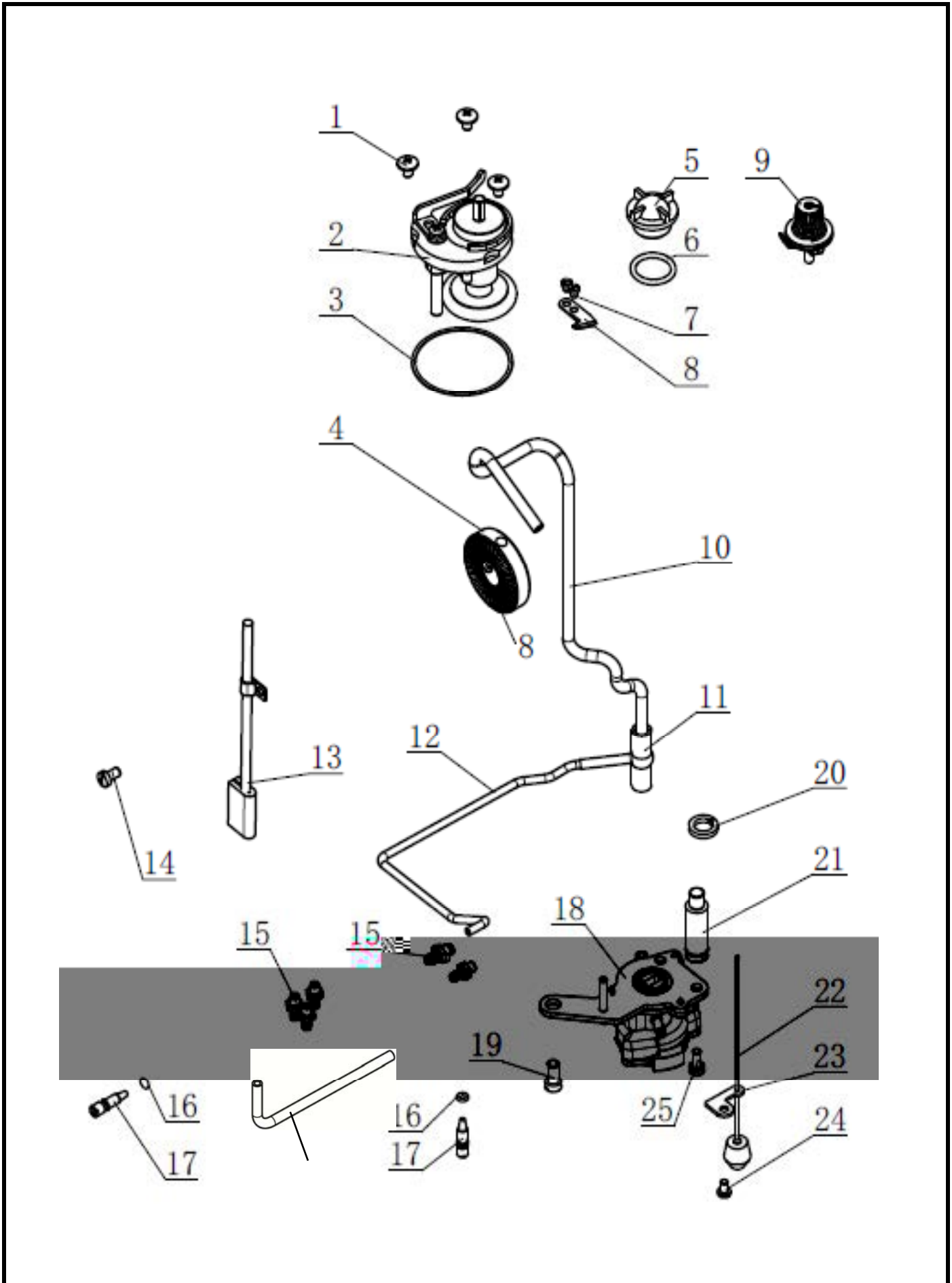
7. /Automatic reverse feed and stitch length components

Ref.No	Part. No		Name of parts	Qty
				H9500N-7D-5AK
1	01-405000823-1		Screw	2
2	DL-18-F		Reverse switch asm.	1
3	130.05-07-02		Shaft pin	1
4	06-0500611-1	5×0.6×11	E-ring	2
5	01-505001424-1		Screw	1
6	01-804000614-1		Screw	1
7	130.05-07-01		Connecting arm	1
8	130.05-06		Turning connecting shaft	1
9	130.05-13		Washer	1
10	130.05-15		Stepper motor	1
11	05-043080900-1		Washer	4
12	07-0421111-1	4.2×1.1×1.1	Spring Washer	4
13	01-504001624-1	M4×16	Screw	4

8.

/Driver and control components

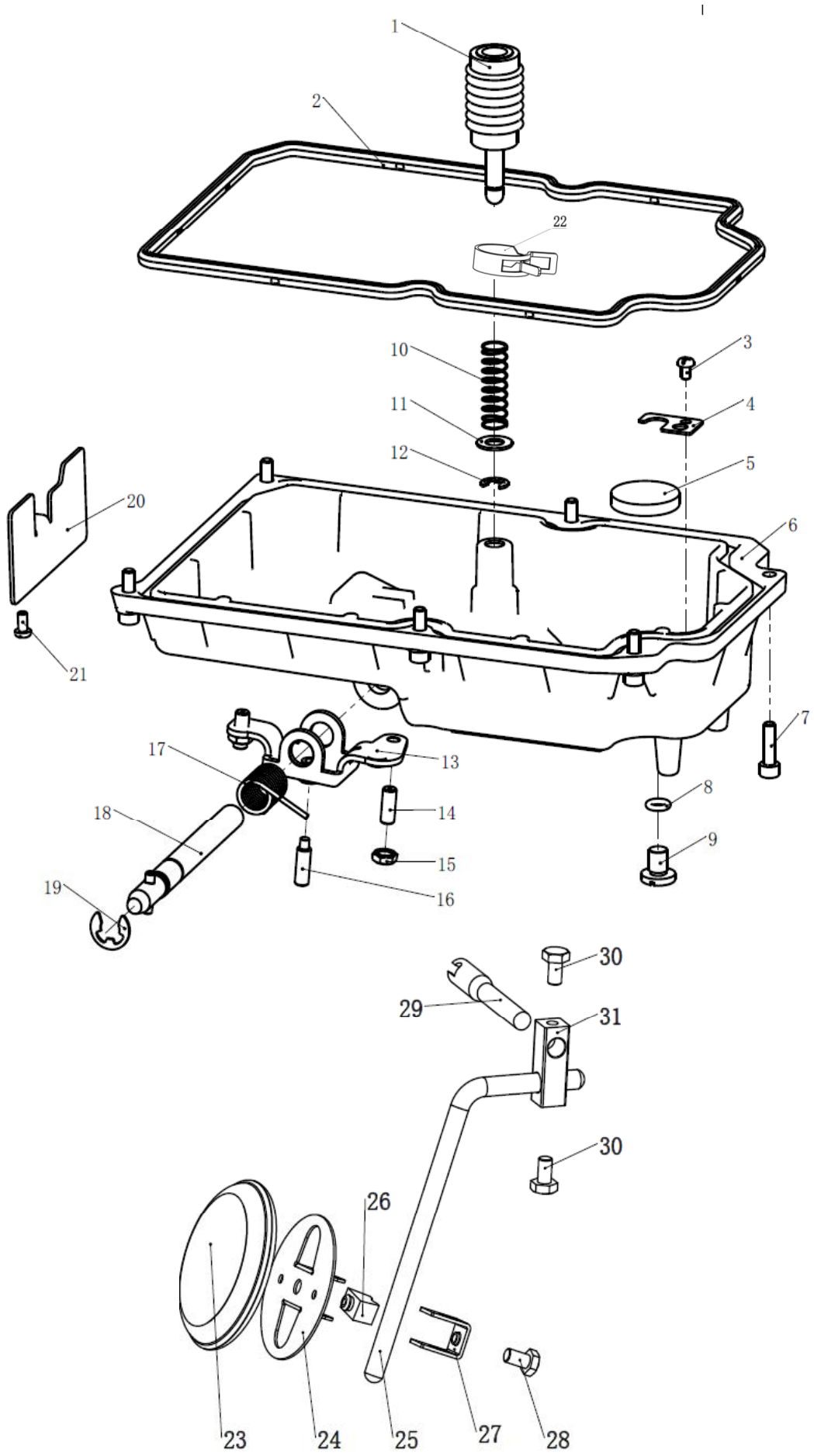




9 /Oil lubrication components&bobbins components

Ref.No	Part. No		Name of parts	Qty
				H9500N-7D-5AK
1	02-312320722-3	SM3/16×28×7	Screw	3
2	102.09-32A		Bobbins winder unit	1
3	102.09-42		Washer	1
4	102.09-37		Bobbins winder driving wheel	1
5	101.09-01		Oil sight window	1
6	12-190265	O	Rubber ring	1
7	02-509400421-1	SM9/64×40×4	Screw	2
8	102.09-34		Knife	1
9	102.09-36		Thread tension asm.	1
10	130.09-34		Main shaft oil tube	1
11	101.09-16		Rubber joint	1
12	130.09-35		Oil tube	1
13	130.09-40		Oil Return Pipe Components	1
14	02-412320821		Screw	1
15	103.08-33		Oil Feeding pipe	6
16	12-036140	o	Rubber ring	2
17	130.09-09		Oil adjusting screw	2
18	101.09-11		Lubricating oil pump asm.	1
19	02-515281321-1	SM15/64×28×13	Screw	1
20	07-0631616-1	6.3× ×	Spring Washer	1
21	101.09-13A		Oil pump support,large	1
22	130.09-30		Oil measurement buoy	1
23	130.09-31		Buoy guide plate	1
24	10-404000623		Screw	1
25	02-511401021-1	SM11/64×40×10	Screw	1
26	103.08-36-1-4C	120mm	Oil tube , 120mm	3

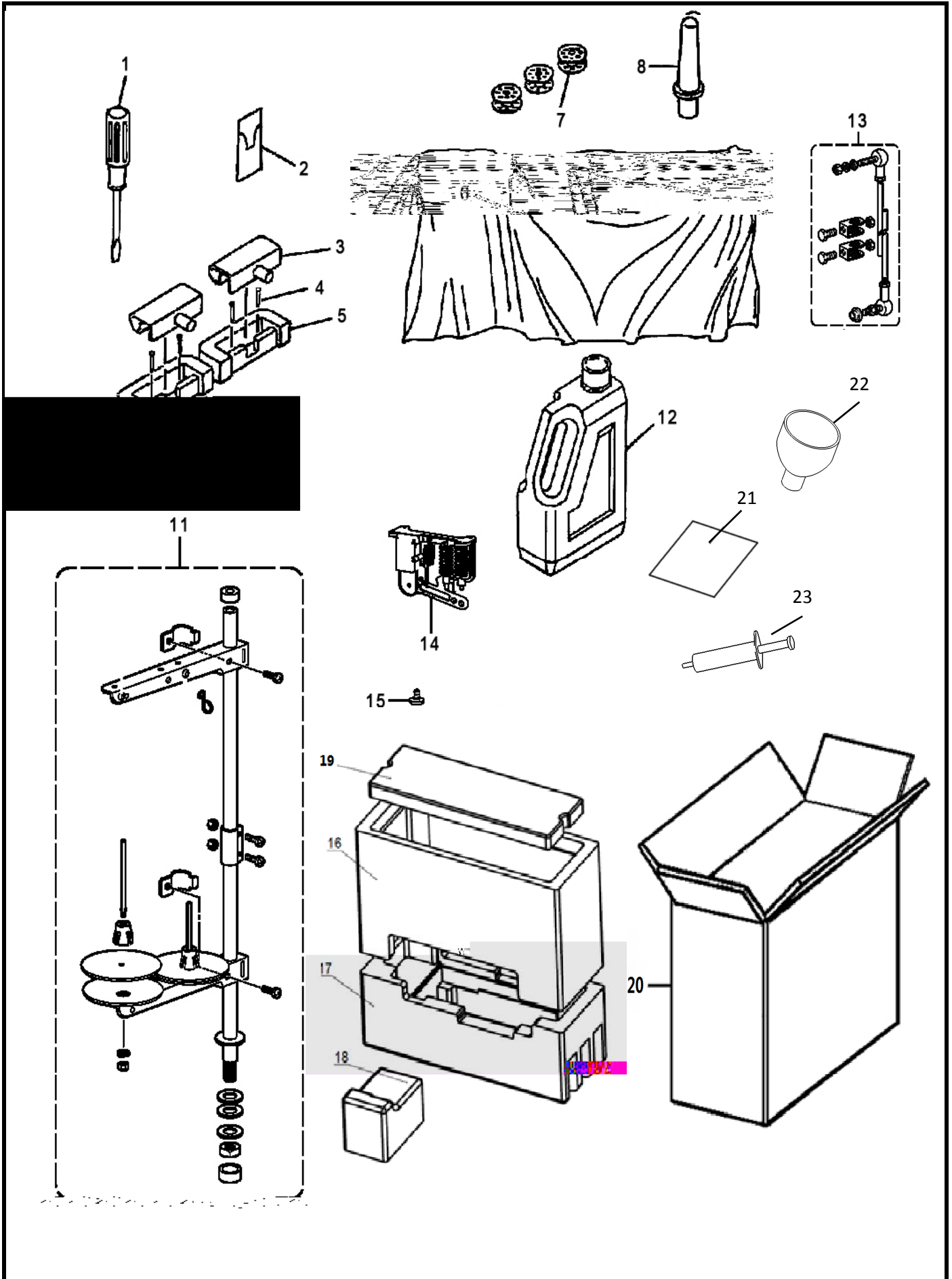
10. /Oil reservoir components



10. /Oil reservoir components

Ref.No	Part. No		Name of parts	Qty
				H9500N-7D-5AK
1	130.04-13			1
2	130.09-25		Rubber ring	1
3	01-404000623-1	M4×6	Screw	3
4	130.06-26		Washer	1
5	130.09-10		magnet	1
6	130.09-32		Oil reservoir	1
7	01-505001824-1	M5×18	Screw	9
8	12-062240	o 6.2×2.4	Rubber ring	1
9	02-608001121-1		Screw	1
10	130.04-33		Spring	1
11	05-081101553-5		Washer	1
12	06-0601012-1		E-ring	1
13	101.10-05-01		Knee lifting rotating arm	1
14	01-806001614-1	M6×16	Screw	2
15	03-606000350-1		Nut	3
16	01-806002034-1	M6×20	Screw	1
17	128.09-27		Spring	1
18	128.04-30		Knee press cross shaft	1
19	06-0901018-1		E-ring	1
20	130.09-36		Oil ballfe	1
21	01-404000823-1		Screw	2
22	130.09-41		Clip	1
23	101.10-06-01		Knee pan plate cover	1
24	101.10-06-04		Knee pan plate	1
25	101.10-06-02		Knee pan upright shaft	1
26	101.10-06-03		Knee pan plate rubber	1
27	101.10-06-05		Knee pan plate support	1
28	101.10-06-06G		Screw	1
29	123.03-12		Knee press cross shaft	1
30	101.10-06-05G		Knee pan plate support	2
31	101.10-06-04G		Knee pan plate support	1

11. /Accessories



11. /Accessories

Ref.No	Part. No		Name of parts	Qty
				H9500N-7D-5AK
1	113.16-19		Screw driver	1
2	101.03-11	DB_1-14	Needle	5
3	101.14-01		Machine hinge plate asm.	2
4	101.14-02		Nail	4
5	101.14-03		Machine hinge plate	2
6	101.14-08		Macgube head cover	1
7	101.03-37-02		Bobbin	3
8	101.14-09		Macgube rest cover	1
9	101.12-20		Air drier	1
11	101.12-01		Thread stand asm.	1
12	101.14-10		Oil reservoir asm.	1
13	M-02F-010		Live festival ball link asm.	1
14	KS-02F		Treadle asm.	1
15	21-3501932-4		Screw	4
16	128.11-01-01		Foam mat (top)	1
17	128.11-01-02		Foam mat (bottom)	1
18	128.11-01-03		Foam mat (middle)	1
19	128.11-01-04		Foam mat cover	1
20	128.11-02		Outside box	1
21	126.11-09		list	1
22	201.22-07-08-10		funnel	1
23	103.20-108		Grease tube	1